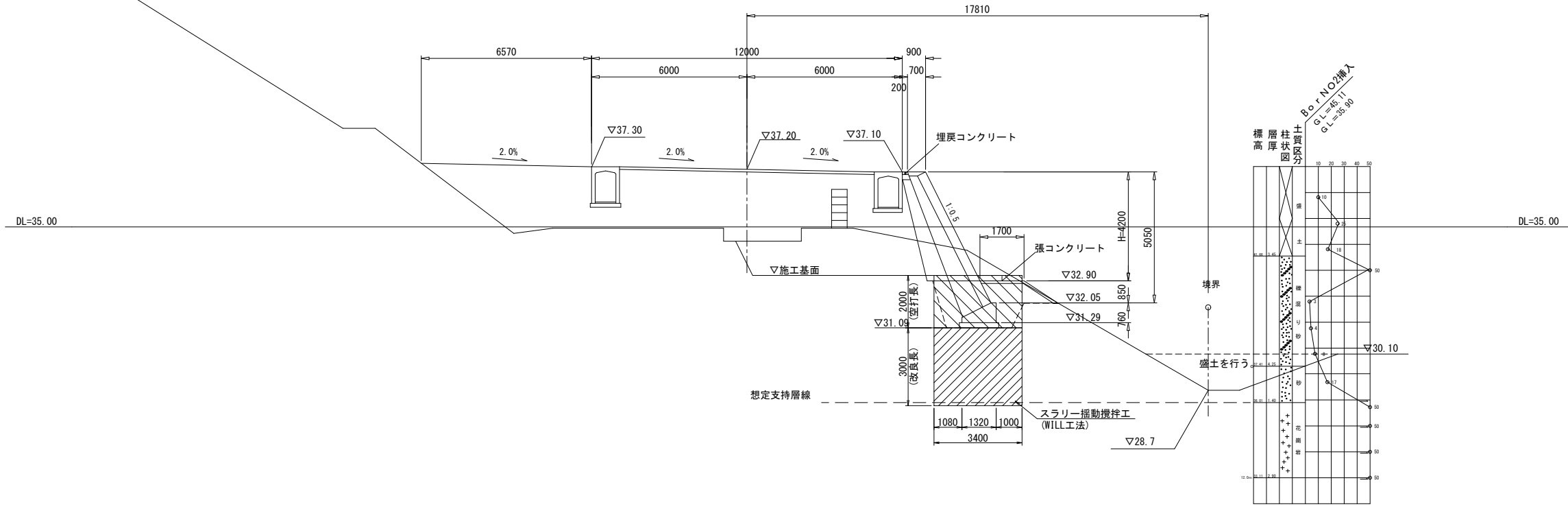


横断図 2 s=1/100

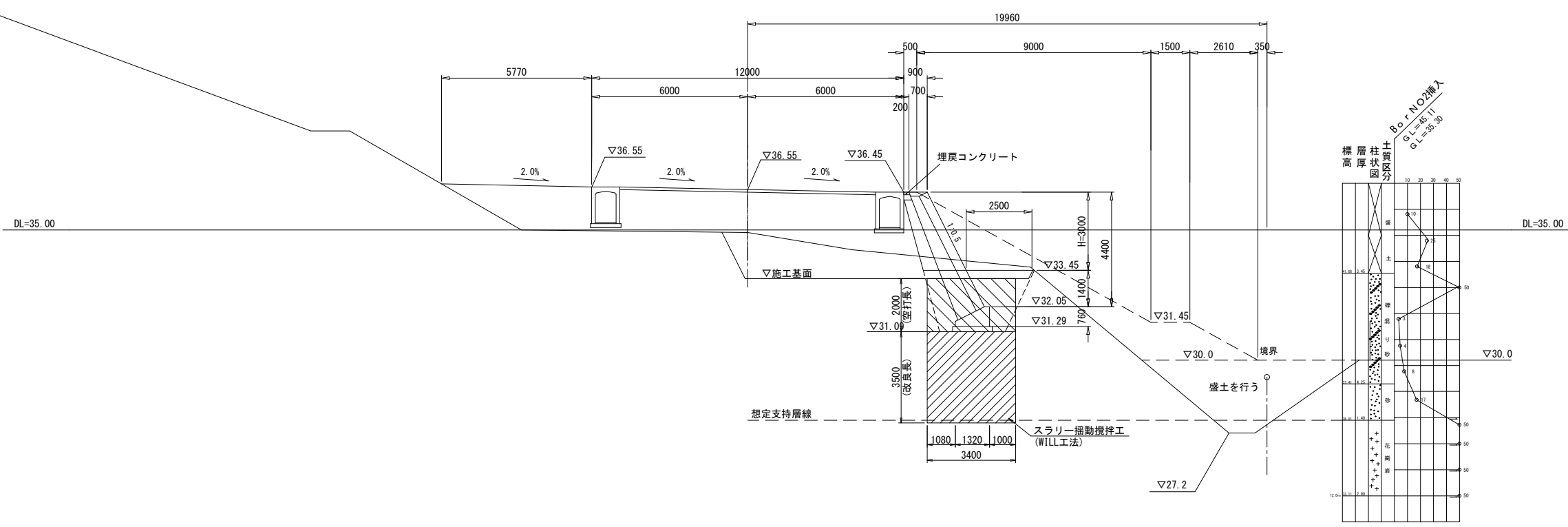
No. 3+10.0

FH=37.20
GH=34.45



No. 3+4.60

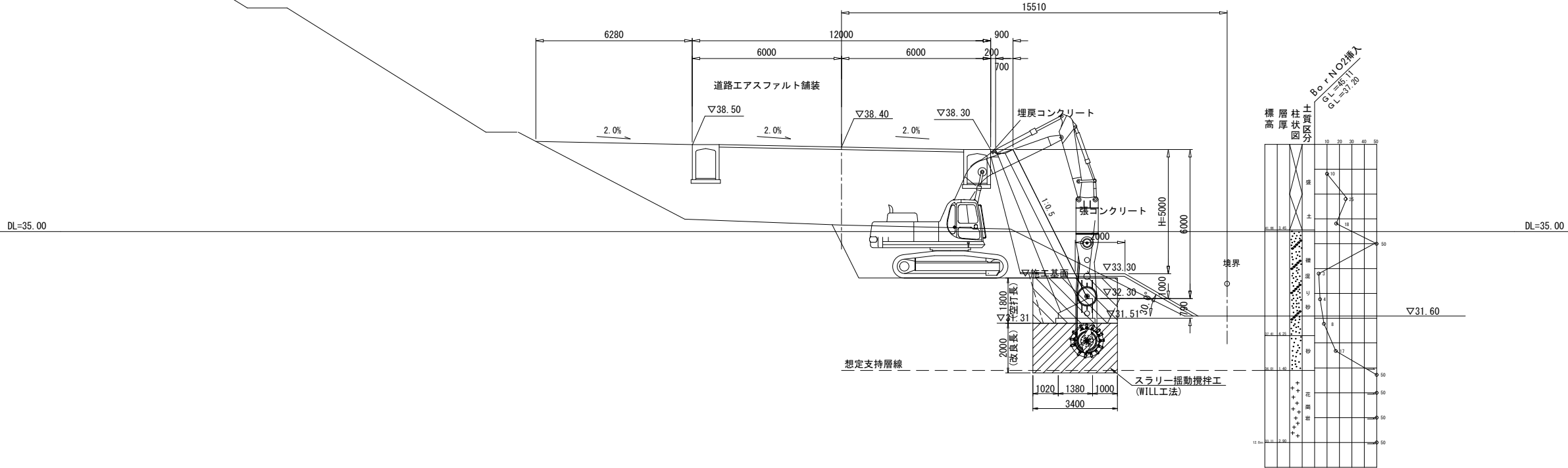
FH=36.55
GH=34.90



横断図 3 s=1/100

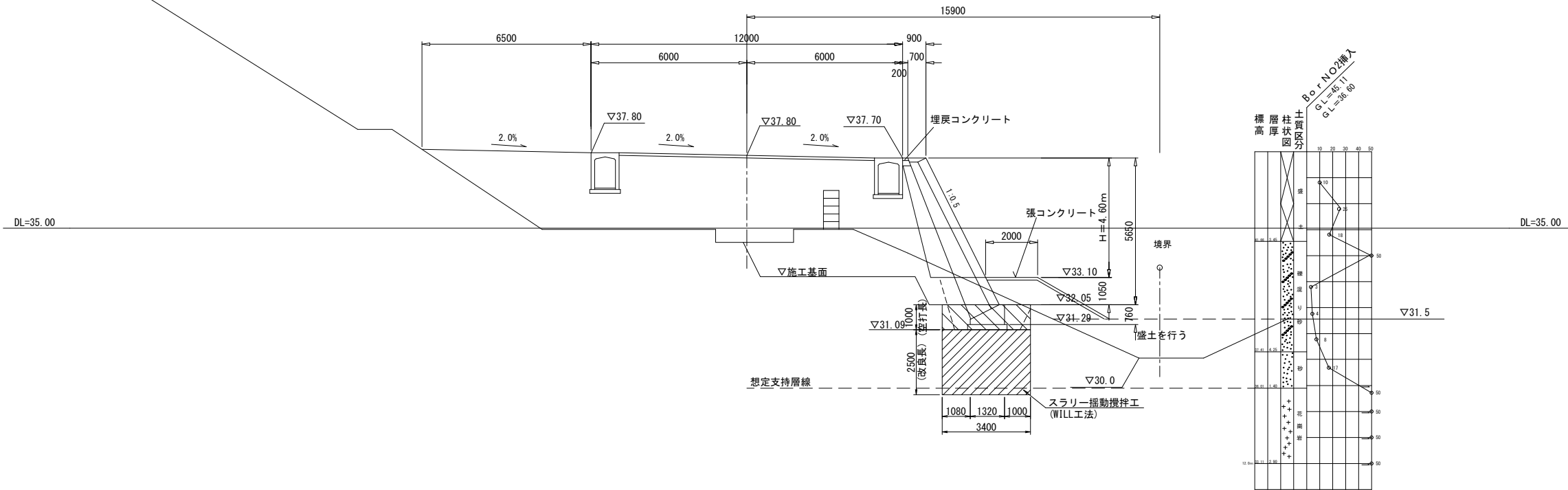
No. 4

FH=38.40
GH=35.30



No. 3+15.0

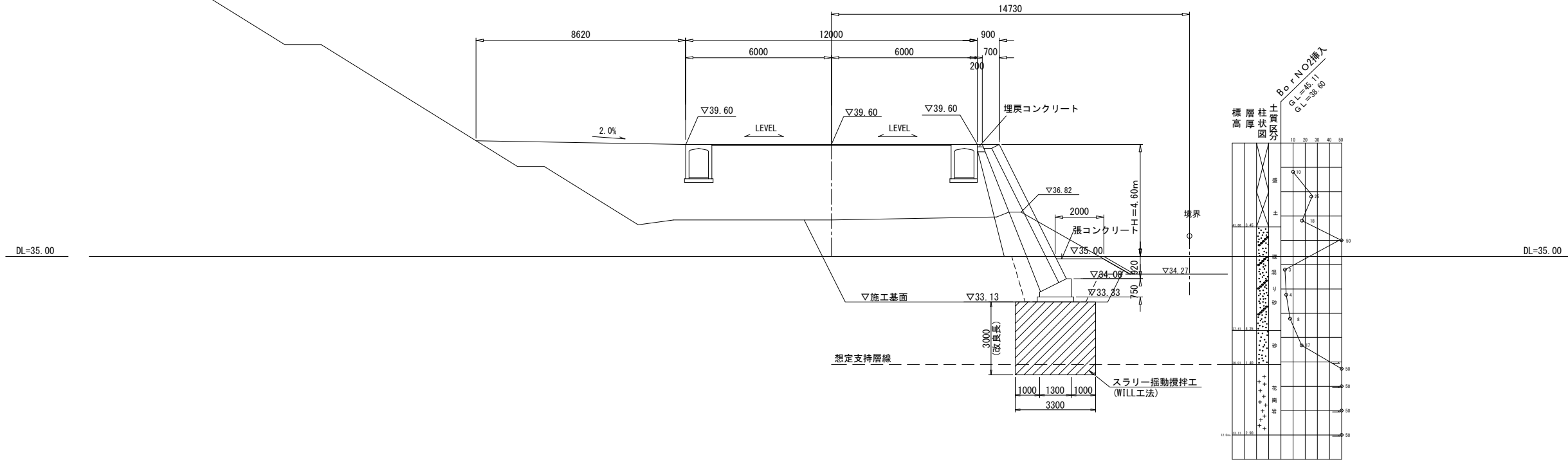
FH=37.80
GH=34.45



横断図 4 s=1/100

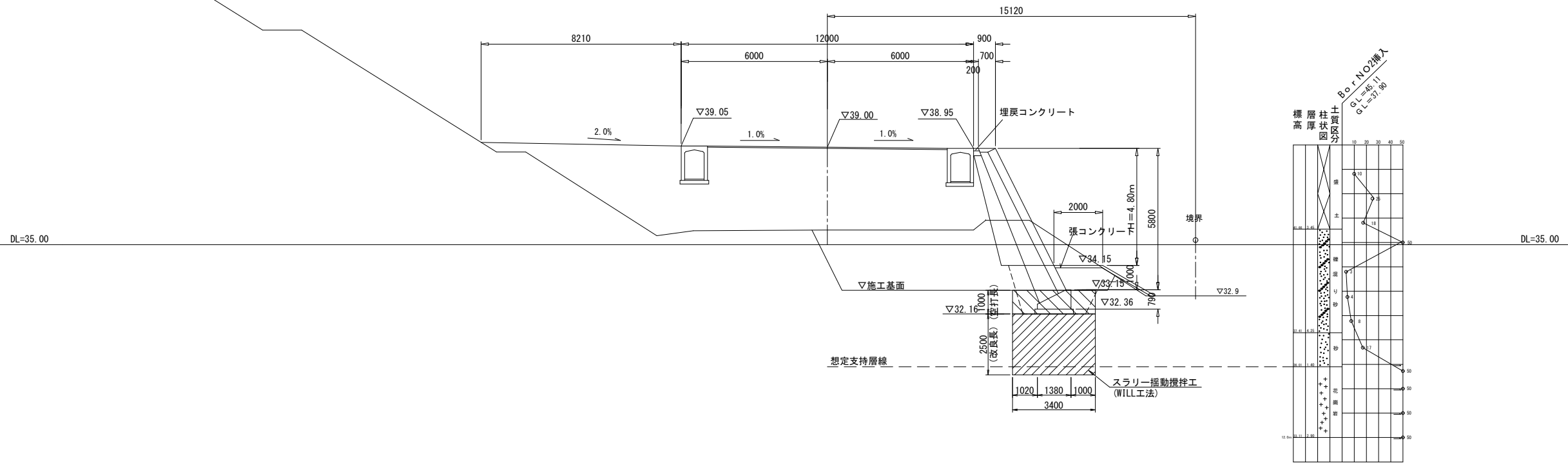
No. 4+10.0

FH=39.60
GH=36.5

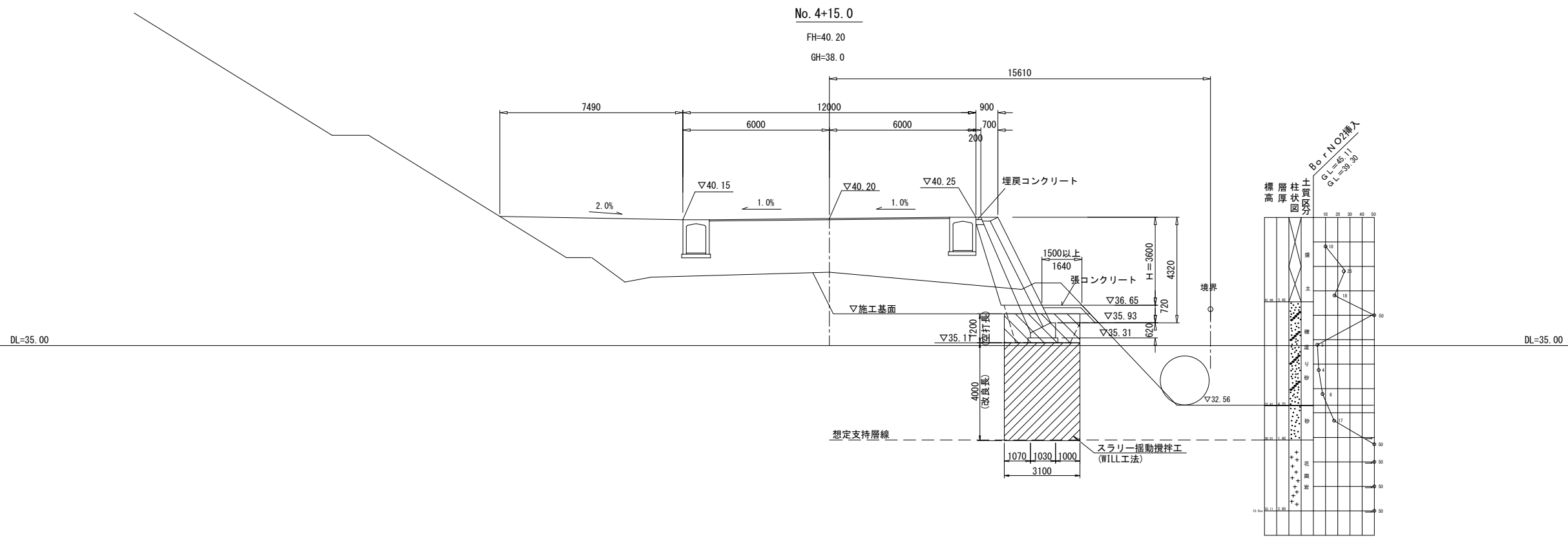
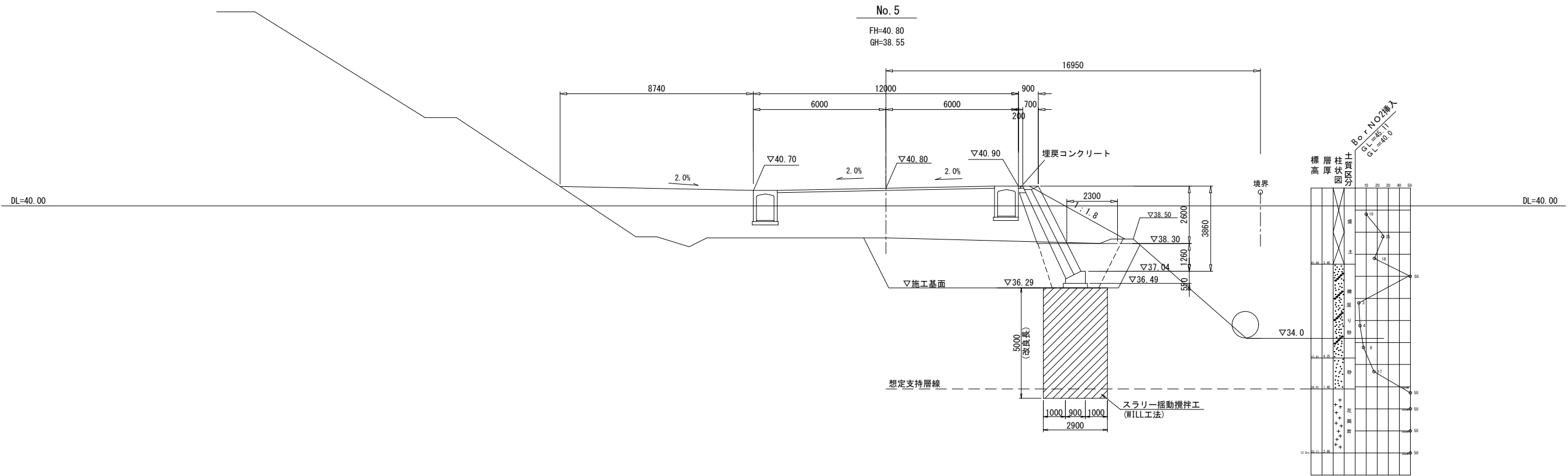


No. 4+5.0

FH=39.00
GH=35.6



横断図 5 s=1/100



横断図 6 $s=1/100$

